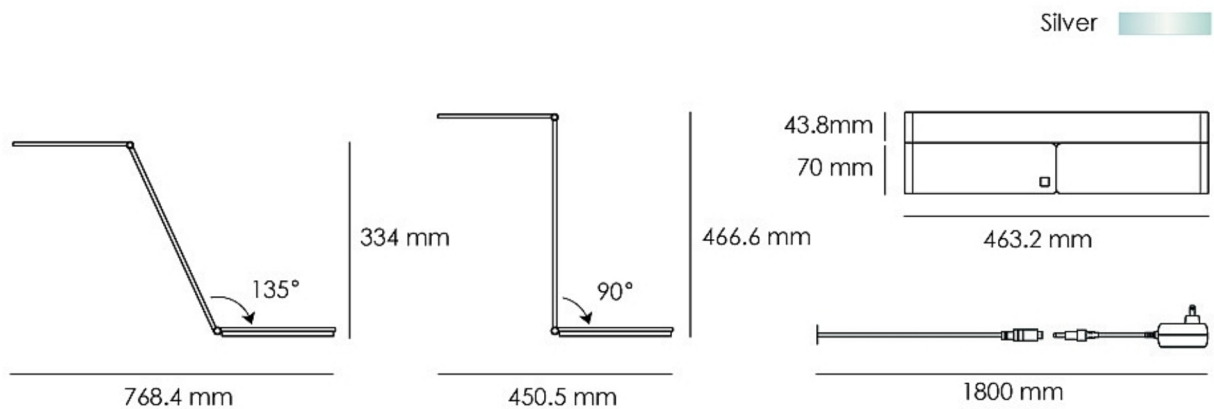




## BE Light



### ZR11\_D

Material	LED Color	Power Input	Switch
Aluminum Alloy, Die Casting	Warm white	AC: 100-240V/50-60Hz DC: 12V, 2A	Dimmable Switch* (on the base)
Certification	Net Weight	Power Consumption	Illuminance
	1.6Kg	12W(max.)	45cm, 1200lux(max.) 30cm, 2000lux(max.)

\* Press and hold the switch button to adjust brightness.

LightingDesign RAM, Martina Egerth

Hohlweg 15  
D 49179 Ostercappeln

Tel.: +49 163 6037765  
Fax: +49 5473 36 999 86

Mail@LightingDesign-RAM.de  
www.LightingDesign-RAM.de

UstID DE 279 575 905