



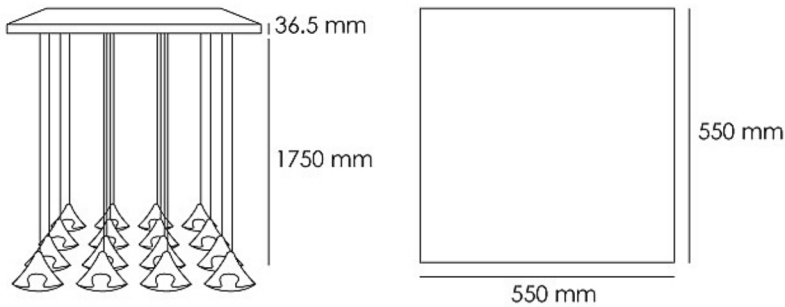
reddot design award
winner 2009



NATIONAL
MUSEUM
OF MARINE BIOLOGY &
AQUARIUM
國立海洋生物博物館

Coral LED Suspension

Frosted White



CR01_P16

Material	LED Color	Power Input	Switch
PMMA, Metal	Cool white	AC: 100-240V/50-60Hz	N/A
Certification	Net Weight	Power Consumption	
CE  FC	7.7Kg	7W	

LightingDesign RAM, Martina Egerth

Hohlweg 15
D 49179 Ostercappeln

Tel.: +49 163 6037765
Fax: +49 5473 36 999 86

Mail@LightingDesign-RAM.de
www.LightingDesign-RAM.de

UstID DE 279 575 905