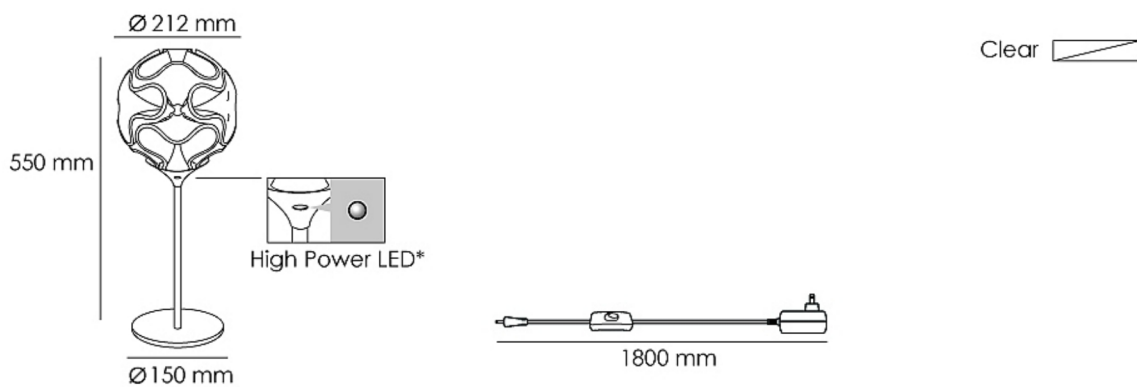






reddot design award
winner 2010



Coral LED Table



CR01_DR55

Material	LED Color	Power Input	Switch
PMMA, Stainless Steel	Warm white	AC: 100-240V/50-60Hz DC: 15V, 1.2A	ON/OFF switch fitted on the power cord
Certification	Net Weight	Power Consumption	
CE  FC 	4.8Kg	10W	

* Equipped with high-power LED on the supporting tray, it provides reading function.

LightingDesign RAM, Martina Egerth

Hohlweg 15
D 49179 Ostercappeln

Tel.: +49 163 6037765
Fax: +49 5473 36 999 86

Mail@LightingDesign-RAM.de
www.LightingDesign-RAM.de

UstID DE 279 575 905