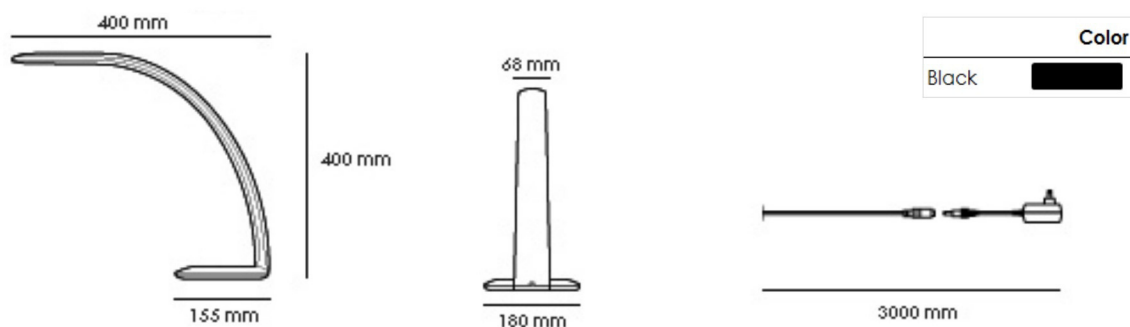




Hatha Light



RL13_D

Material	LED Color	Power Input	Switch
Silicone Rubber, Zinc Alloy	Warm white	A.C:100-240V/ 50-60 Hz D.C:12V, 1.5A	Dimmable switch*
Certification	Net Weight	Power Consumption	Illuminance
	2.2 kg	6W (max.)	40cm: 1200lux 30cm: 2200lux

*Press and hold the switch button to adjust brightness.

LightingDesign RAM, Martina Egerth

Hohlweg 15
D 49179 Ostercappeln

Tel.: +49 5473 74 490 13
Fax: +49 5473 36 999 86

Mail@LightingDesignRAM.de
www.LightingDesignRAM.de

UstID DE 279 575 905