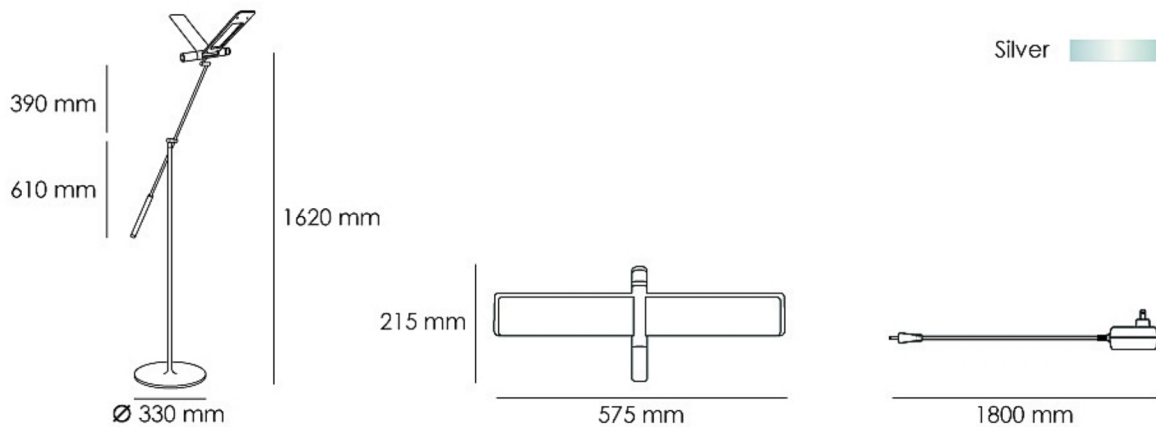





reddot design award
winner 2011

Seagull LED Floor



BD10_F

Material	LED Color	Power Input	Switch
Aluminum Alloy, Die Casting, Stainless Steel	Warm white Cool white*	AC: 100-240V/50-60Hz DC: 12V, 2A	Dimmable switch**
Certification	Net Weight	Power Consumption	
CE  FC	8.8Kg	14W(max.)	

* Products in cool white are only available for special order.

** It has two knobs on the main body, the front one for adjusting brightness and the back for adjusting lighting angles.

The pole supporting the main body has 2 axis, making it possible to turn the light in 360 degrees in vertical and horizontal direction.

LightingDesign RAM, Martina Egerth

Hohlweg 15
D 49179 Ostercappeln

Tel.: +49 163 6037765
Fax: +49 5473 36 999 86

Mail@LightingDesign-RAM.de
www.LightingDesign-RAM.de

UstID DE 279 575 905